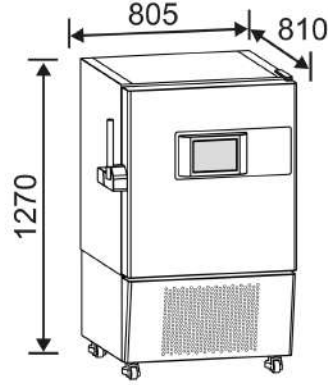




# ULF 125 PRO ULTRA FREEZERS



Color:White  
Panel:ADVANCED

- Touch control panel with 7" display and password
- Data download to USB
- Backup battery for managing alarms in case of power failure
- Audible and visual alarms
- Wi-Fi connection (available starting from July 2024)

## TECHNICAL FEATURES

Temperature	-50°C / -86°C
Refrigeration Type	Static
Defrost Type	Manual
Noise Level (dB(A))	79
Refrigerant Gas	R290 + R170
Climatic Class	+16°C / +28°C
Gross Capacity (liters)	135
Net Capacity (liters)	125
External Dimensions (W x D x H mm)	805 x 810 x 1270
Packaging Dimensions (W x D x H mm)	95 x 96 x 152(1,38m3)
Gross Weight (Kg)	310



# ULF 125 PRO ULTRA FREEZERS

## ELECTRICAL DATA

Power Supply (V/ph/Hz) 220-230/1/50

Power Plug Type F

## STRUCTURAL FEATURES

Structure Upright

Insulation Thickness (mm) 130

Insulated Door Yes

Insulated Inner Counter-Doors 2

Heated Door Seal Yes

Compensation Valve Yes

Shelves Number 1

Maximum Shelf Quantity -

## CONTROL PANEL

Display Type Touch 7"

Languages ITA - ENG - FRA

Access Password Yes

3-Level Access Password Yes

Temperature Graph Visible on display

Probe Type Nr. 3 PT1000

Alarm Signaling Acoustic and visual

Alarm Indications Text form / codes

Adjustable High/Low Temperature Alarm Yes

Adjustable Door Open Alarm Yes

Power Loss Alarm Yes

Probe Fault Alarm Yes



# ULF 125 PRO ULTRA FREEZERS

## CONTROL PANEL

Low Battery Alarm	Yes
Dirty Condenser Alarm	Yes
Evaporator Freezing Alarm	Yes
Acoustic Alarm Silencing Options	Yes
Acoustic Alarm Reactivation	Yes
Alarm Functionality Test	Yes
Calibration	Yes
Alarm Memory	Yes
Door Openings Memory	Yes
Defrost Memory	Yes
Event Memory	Yes
Daily Min/Max Temperature Memory	Yes
Data Logger Function with USB Port	Yes
USB Port	Type B
Data and Event Storage	Yes (on internal memory)
Dry Contact	Yes
Wi-Fi Connectivity	No
Monitoring App	Yes
Backup Battery for Display and Alarms	Yes
Backup Battery Autonomy for Display and Alarms (hours)	48

## ACCESSORIES

Storage rack for boxes

Box for storage rack

CO2 back-up system

Electronic door lock (available for ADVANCED control panel only)

Temperature chart recorder



# ULF 125 PRO ULTRA FREEZERS

## ACCESSORIES

Cryo gloves

GSM/GPRS telephone dialer

Voltage 230V/1ph/60Hz

Voltage 115V/1ph/60Hz

Wooden crate packing

IQ Documentation

OQ Documentation